



**LOGIS**  
ALUMINIUM

# FRONT ENTRY DOORS

AD series



**YOUR HOME DESERVES MORE**

[www.logisal.eu](http://www.logisal.eu)  
[office@logisal.eu](mailto:office@logisal.eu)  
+40 767 444 000

920095, Șos. Călărași, km 93  
Mun. Slobozia, Jud. Ialomița  
România | Hamilton Business Center, corp 5

QUALITY DRIVEN



## Comfort is just a step away

Front entry doors, aren't they one of the most important parts of our home? They protect us from the cold, from the rain or the burglars, to mention just these examples. Doors also keeps us away from street noise. But how do you make the right choice, and buy a door that will meet our expectations and serve us for years?

An issue that requires careful consideration before the purchase is the heat transfer coefficient (U). The lower its value, the more heat will stay with us inside. **Logisal offers panelled doors with the  $U_p$  coefficient of 0.44 W/(m<sup>2</sup>K).**

When choosing our door, let's not forget to check out their water resistance. It's the water resistance of the door that will keep the driving rain outside in times of strong winds and heavy rain. Water resistance of the front entry door is rated from 3A to 9A. The higher the class, the better the door protects our home. **Logisal offers panelled doors rated 7A.**

Infill panels are included in door leaves based on the MB-86 & MB-104 Passive system, and come in a variety of colours and structures. The elements can be milled, decorated with applications or made of insulated glass. **Panelled doors can be fabricated very large and high – up to 1.40 m (W) and almost 2.60 m (H).** If, therefore, we dream of an impressive front entrance, this will be the perfect choice. But above all, the door should fit to the style of your home. If our interiors are the traditional ones, we should opt for a leaf with glass panels or wooden-like veneer. Lovers of modern interior can choose among RAL colours, think shade of graphite.

Let's take some time and choose a door with which we will create a beautiful entrance that will enchant our guests and will make us feel like we were in a safe haven.

## MB-104 Passive

# $U_D$ from 0,44 W/m<sup>2</sup>K

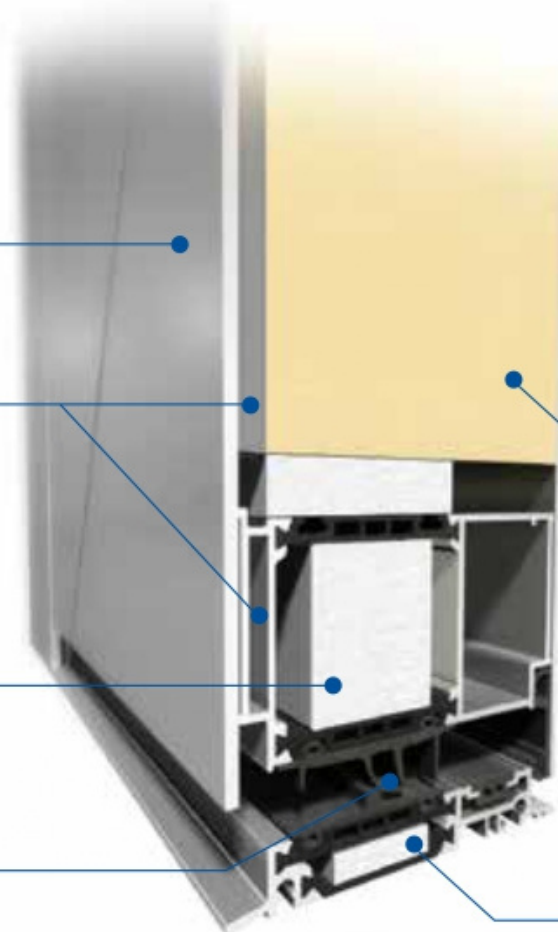
Logisal's panel door uses thermally insulated aluminium profile system – MB-104 Passive is the most technologically advanced door system offered by Logisal. The leaf profile can be combined with special infills, aligned with the surface of the frame. The system is dedicated to passive and energy-efficient buildings.

Aesthetically pleasing, decorative panels are available in various designs and RAL colours

Expansion profiles and door leaf panels

Design variants: SI, SI+ and AERO

Central gaskets around the leaf and the frame to seal, cover, and increase the thermal insulation of the door



### Technical details:

Frame depth	95 mm
Leaf depth	95 mm
Infill panel thickness	up to 95 mm
Maximum dimensions of the leaf	(HxL) L up to 1400 mm, H up to 2600 mm

### Technical parameters:

Air permeability	Class 3, PN-EN 12207:2001
Water tightness	Class 7A (300 Pa), PN-EN 12208:2001
Wind load resistance	Class C4/B5, PN-EN 12210:2001
Thermal insulation	$U_D$ from 0,44 W/m <sup>2</sup> K

High density polyurethane foam (PUR) with high thermal performance

95 mm wide threshold the frame and threshold are the same width, providing a desirable flush finish

## MB-86

# $U_D$ from 0,63 W/m<sup>2</sup>K

Logisal's panel doors use thermally insulated aluminium profile system – MB-86 – which, just like the MB-104 Passive system, is dedicated to energy-efficient and passive building. The leaf profile can be combined with special infills, aligned with the surface of the frame.

Aesthetically pleasing, decorative panels are available in various designs and RAL colours

Expansion profiles and door leaf panels

They come in four versions: ST, SI, SI+ and AERO for a very good thermal performance



### Technical details:

Frame depth	77 mm
Leaf depth	77 mm
Infill panel thickness	44 and 77 mm
Maximum dimensions of the leaf	(H x L) L up to 1400 mm, H up to 2600 mm

### Technical parameters:

Air permeability	Class 3, PN-EN 12207:2001
Water tightness	Class 6A (250 Pa), PN-EN 12208:2001
Wind load resistance	Class C5/B5, PN-EN 12210:2001
Thermal insulation	$U_D$ from 0,63 W/m <sup>2</sup> K

Excellent thermal insulation thanks to the polyurethane foam (PUR)

Rigid and durable aluminium profiles permit the fabrication of large-dimensioned doors

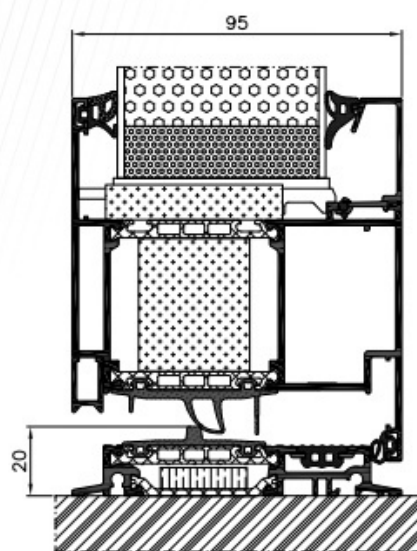
Specially designed weather strips provide high water tightness and low air permeability, bringing both a comfort and a potential for cost savings

## BASIC



### Insert panels

- Double glazing units, Ug coefficient of Ug 0.5 W/m<sup>2</sup>K or of 0.7 W/m<sup>2</sup>K
- 44 to 72 mm thick panel
- Thermal transmittance for MB-86 doors U<sub>D</sub> from 0.8 W/m<sup>2</sup>K and for MB-104 doors U<sub>D</sub> from 0.63 W/m<sup>2</sup>K
- Four versions: ST, SI, SI+ and Aero

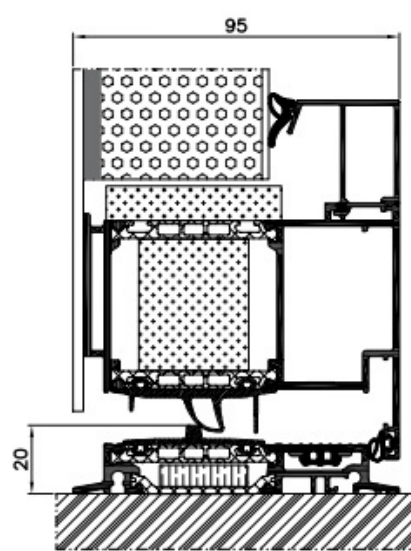


## CLASSIC



### Aligned on one side

- Triple glazing units, Ug coefficient of Ug 0.5 W/m<sup>2</sup>K or of 0.7 W/m<sup>2</sup>K
- 44 to 85 mm thick panel
- Thermal transmittance for MB-86 doors U<sub>D</sub> from 0.64 W/m<sup>2</sup>K and for MB-104 doors U<sub>D</sub> from 0.48 W/m<sup>2</sup>K
- Four versions: ST, SI, SI+ and Aero

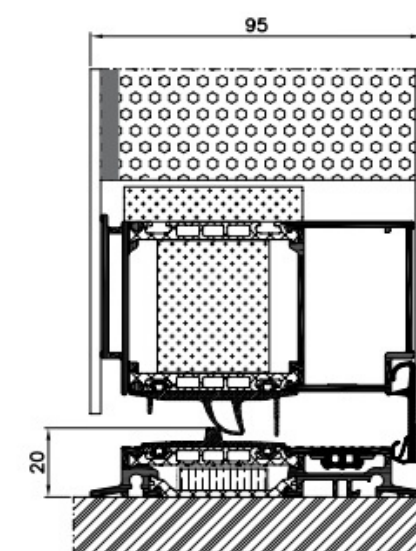


## EXCLUSIVE



### Aligned on both sides

- Triple glazing units, Ug coefficient of Ug 0.5 W/m<sup>2</sup>K or of 0.7 W/m<sup>2</sup>K
- 77 mm thick panel (MB-86) and 95 mm (MB-104 Passive)
- Thermal transmittance for MB-86 doors U<sub>D</sub> from 0.63 W/m<sup>2</sup>K and for MB-104 doors U<sub>D</sub> from 0.44 W/m<sup>2</sup>K
- Four versions: ST, SI, SI+ and Aero



All available models can be inserted into the profiles or glued on one or both sides.



AD01

- Pull AS 10 1600
- Glazing (front): VSG 33.1 thermofloat
- Glazing (center): Satinovo
- Glazing (backside) thermofloat with warm edge spacer
- Colour: RAL 7016



AD02

- Pull AS 10 1600
- Glazing (front): VSG 33.1 thermofloat
- Glazing (center): Satinovo
- Glazing (backside) thermofloat with warm edge spacer
- Inox steel placed outside, aligned
- Colour: RAL 7016



AD03

- Pull AS 10 1600
- Glazing (front): VSG 33.1 thermofloat
- Glazing (center): Satinovo
- Glazing (backside) thermofloat with warm edge spacer
- Inox steel placed outside, aligned
- Colour: RAL 7016



AD04

- Pull AS 10 800
- Glazing (front): VSG 33.1 thermofloat
- Glazing (center): Satinovo
- Glazing (backside) thermofloat with warm edge spacer
- Inox steel placed outside, stucked
- Colour: RAL 7016



AD05

- Pull AS 20 800
- Glazing (front): VSG 33.1 thermofloat
- Glazing (center): Satinovo
- Glazing (backside) thermofloat with warm edge spacer
- Inox steel placed outside, sticked
- Colour: RAL 7016



AD06

- Pull AS 10 1400
- Glazing (front): VSG 33.1 thermofloat
- Glazing (center): Satinovo
- Glazing (backside) thermofloat with warm edge spacer
- Inox steel placed outside, aligned
- Colour: RAL 7016



AD07

- Pull AS 10 1600
- External millings
- Colour: RAL 7016



AD08

- Pull AD 134 1200
- Glazing (front): VSG 33.1 thermofloat
- Glazing (center): sandblasted glass with transparent strips
- Glazing (backside) thermofloat with warm edge spacer
- Inox steel placed outside, aligned
- Colour: RAL 7016



AD09

- Pull AS 10 800
- Glazing (front): VSG 33.1 thermofloat
- Glazing (center): Satinovo
- Glazing (backside) thermofloat with warm edge spacer
- External millings
- Colour: RAL 7016



AD10

- Pull AS 10 1200
- External millings plus inox steel placed outside
- Colour: RAL 7016



AD11

- Pull AS 20 1200
- Glazing (front): VSG 33.1 thermofloat
- Glazing (center): Satinovo
- Glazing (backside) thermofloat with warm edge spacer
- External millings
- Colour: RAL 7016



AD12

- Pull AS 10 1400
- Glazing (front): VSG 33.1 thermofloat
- Glazing (center): Satinovo
- Glazing (backside) thermofloat with warm edge spacer
- External millings
- Colour: RAL 7016



AD13

- Pull AS 10 1200
- Glazing (front): VSG 33.1 thermofloat
- Glazing (center): Satinovo
- Glazing (backside) thermofloat with warm edge spacer
- Wood-like or inox steel placed outside, aligned
- Colour: RAL 9007



AD14

- Pull AS 10 1200
- Inox steel placed outside, aligned
- Colour: RAL 7016



AD15

- Pull AZ76
- Glazing (front): VSG 33.1 thermofloat
- Glazing (center): Satinovo
- Glazing (backside) thermofloat with warm edge spacer
- Inox steel placed outside, aligned
- Colour: RAL 7016/RAL 3004



AD16

- Pull AW72
- External millings
- Colour: RAL 7001



AD17

- Pull AS 10 1600
- Colour: RAL 3004



AD18

- Pull AW10
- Inox steel placed outside, aligned
- Colour: RAL 7016



AD19

- Pull AS 10 800
- Glazing (front): VSG 33.1 thermofloat
- Glazing (center): sandblasted glass with transparent strips
- Glazing (backside) thermofloat with warm edge spacer
- Colour: RAL 7001



AD20

- Pull AS 10 1400
- Glazing (front): VSG 33.1 thermofloat
- Glazing (center): Satinovo
- Glazing (backside) thermofloat with warm edge spacer
- Inox steel placed outside, aligned
- Colour: RAL 7016



AD21

- Pull AS 10 1200
- Glazing (front): VSG 33.1 thermofloat
- Glazing (center): Satinovo
- Glazing (backside) thermofloat with warm edge spacer
- Aligned, wood-like
- Colour: RAL 9010



AD22

- Pull AS 10 1000
- Glazing (front): VSG 33.1 thermofloat
- Glazing (center): Satinovo
- Glazing (backside) thermofloat with warm edge spacer
- Inox steel placed outside, aligned
- Colour: RAL 7016



AD23

- Pull AS 10 1200
- Glazing (front): VSG 33.1 thermofloat
- Glazing (center): Satinovo
- Glazing (backside) thermofloat with warm edge spacer
- External millings
- Colour: RAL 7016



AD24

- Pull AS 10 1400
- Inox steel placed outside, aligned
- Colour: RAL 7016/Wood-like



AD25

- Pull AS 10 1400
- Glazing (front): VSG 33.1 thermofloat
- Glazing (center): Satinovo
- Glazing (backside) thermofloat with warm edge spacer
- External millings plus stainless steel, placed outside, aligned
- Colour: RAL 9016



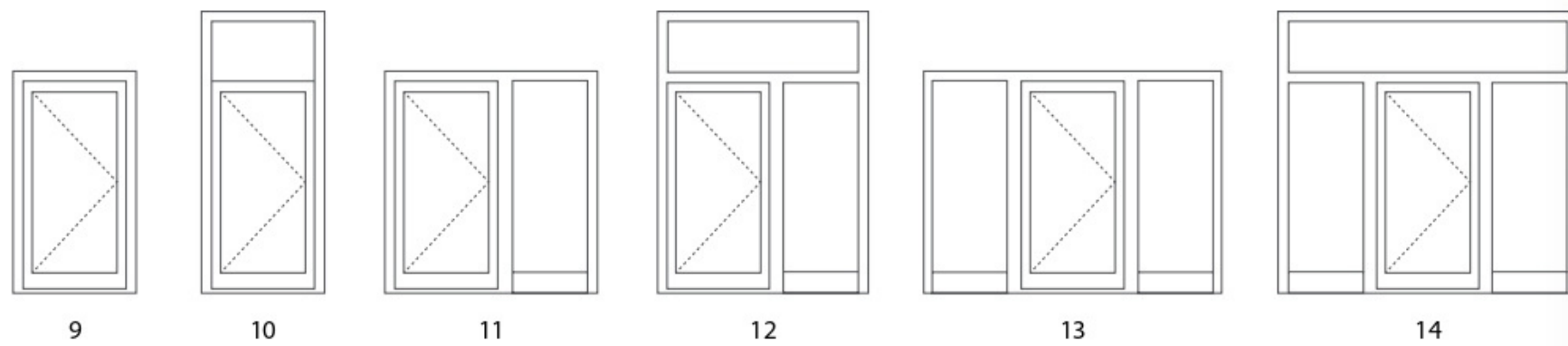
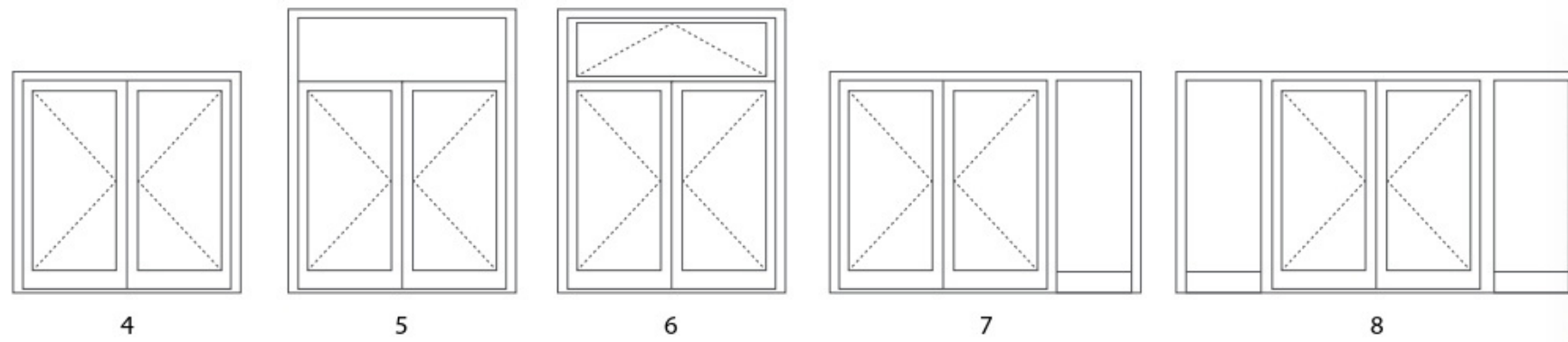
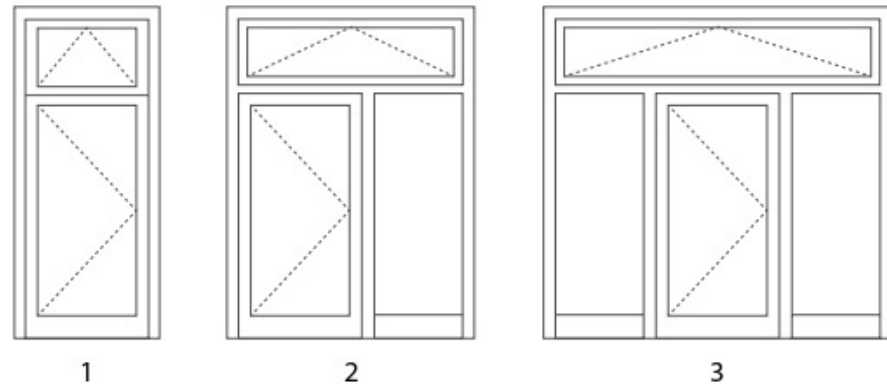
AD26

- Pull AS 10 1600
- Glazing (front): VSG 33.1 thermofloat
- Glazing (center): Satinovo
- Glazing (backside) thermofloat with warm edge spacer
- Inox steel placed outside, aligned
- Colour: RAL 3004

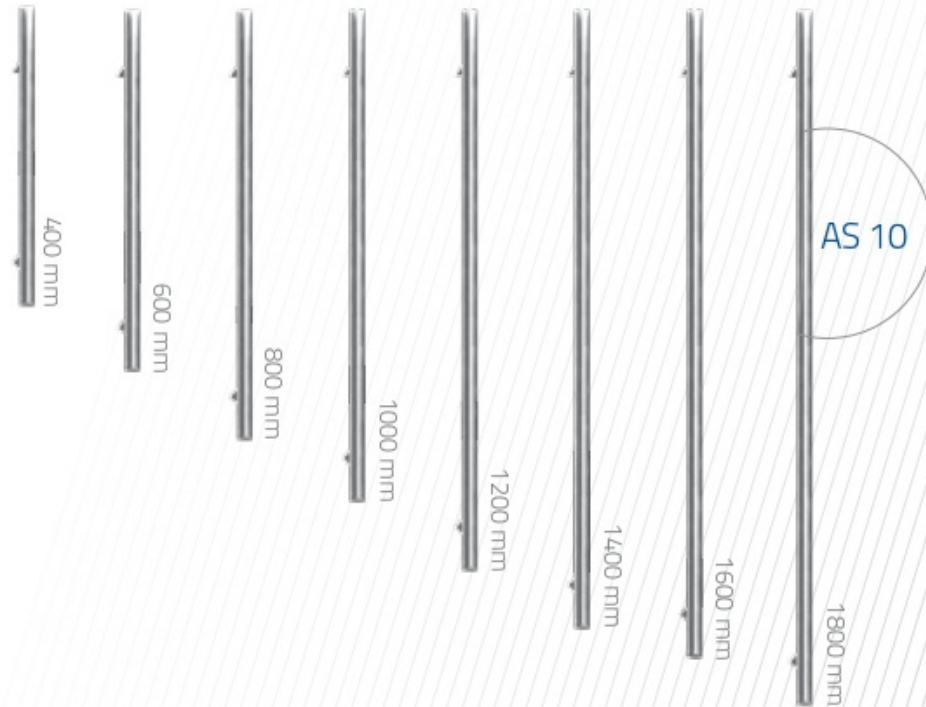


AD27

- Pull AS 10 1800
- Glazing (front): VSG 33.1 thermofloat
- Glazing (center): Satinovo
- Glazing (backside) thermofloat with warm edge spacer
- Inox steel placed outside, aligned
- Colour: RAL 7016

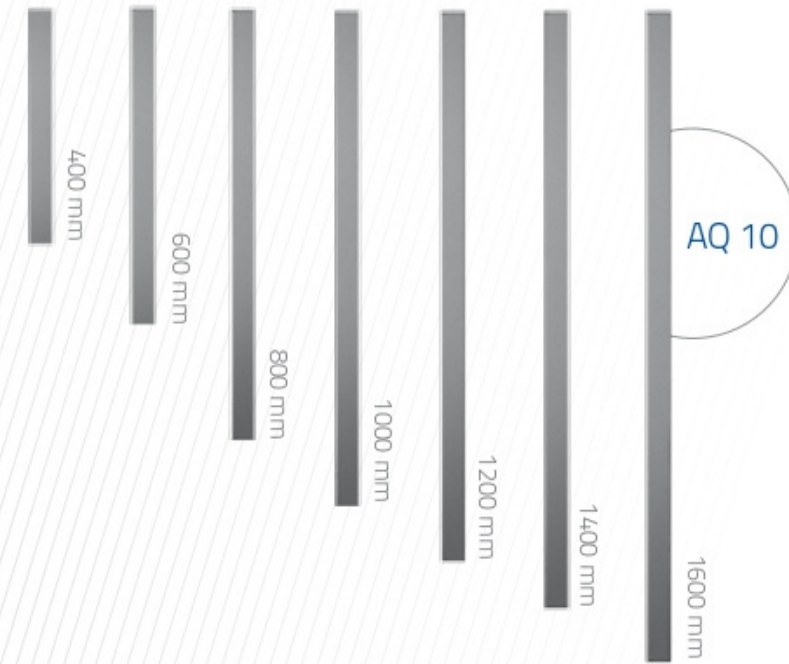


//Pull D-handles\*



- AS 10 400
- AS 10 600
- AS 10 800
- AS 10 1000
- AS 10 1200
- AS 10 1400
- AS 10 1600
- AS 10 1800

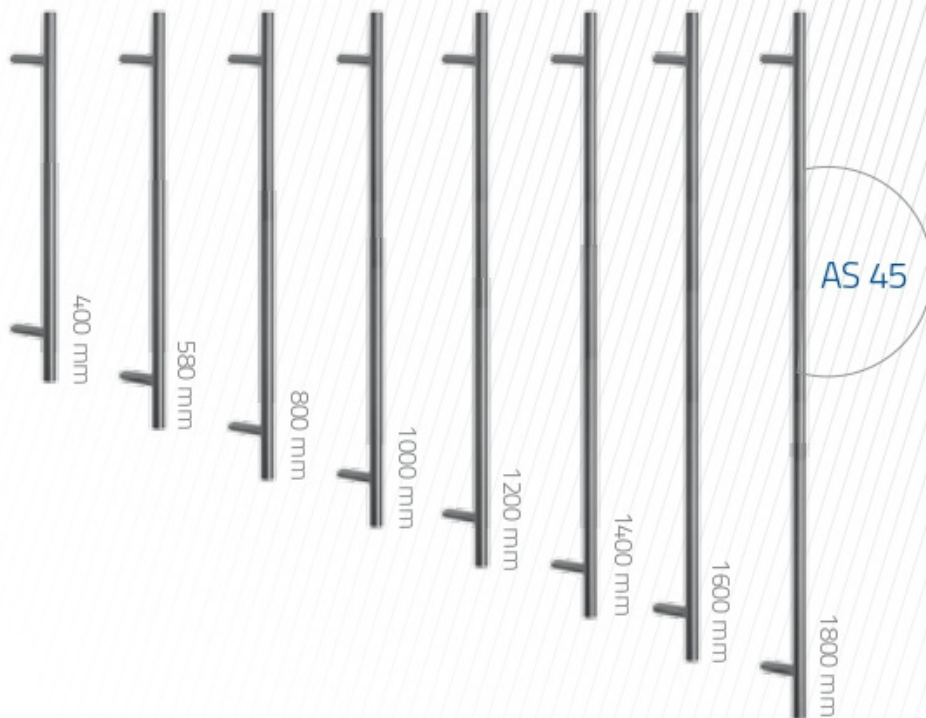
//Square pulls\*



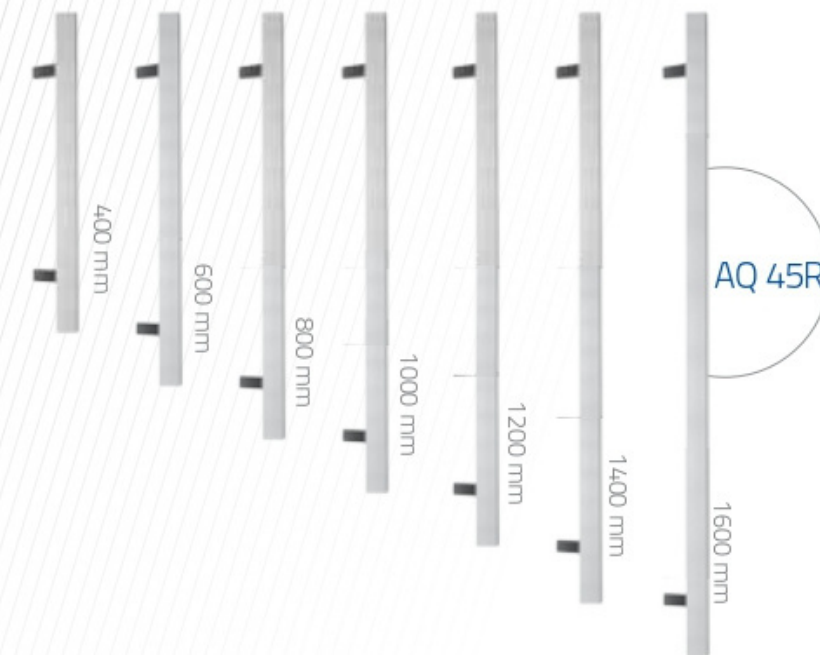
available  
40 x 20, 40 x 40 mm

- AQ 1020 400
- AQ 1020 600
- AQ 1020 800
- AQ 1020 1000
- AQ 1020 1200
- AQ 1020 1400
- AQ 1020 1600

- AQ 1040 400
- AQ 1040 600
- AQ 1040 800
- AQ 1040 1000
- AQ 1040 1200
- AQ 1040 1400
- AQ 1040 1600



- AS 45 400
- AS 45 580
- AS 45 800
- AS 45 1000
- AS 45 1200
- AS 45 1400
- AS 45 1600
- AS 45 1800



available  
40 x 20, 40 x 40 mm

- AQ 4520R 400
- AQ 4520R 600
- AQ 4520R 800
- AQ 4520R 1000
- AQ 4520R 1200
- AQ 4520R 1400
- AQ 4520R 1600

- AQ 4540R 400
- AQ 4540R 600
- AQ 4540R 800
- AQ 4540R 1000
- AQ 4540R 1200
- AQ 4540R 1400
- AQ 4540R 1600

\* Mounting kit included - see the price list for details.

And large mounting kits (polyurethane adhesive, activator, primer, sponge to apply the primer + sponge sanding block) and small mounting kits (polyurethane adhesive, sponge to apply the primer + sponge sanding block).

//Pulls with wood



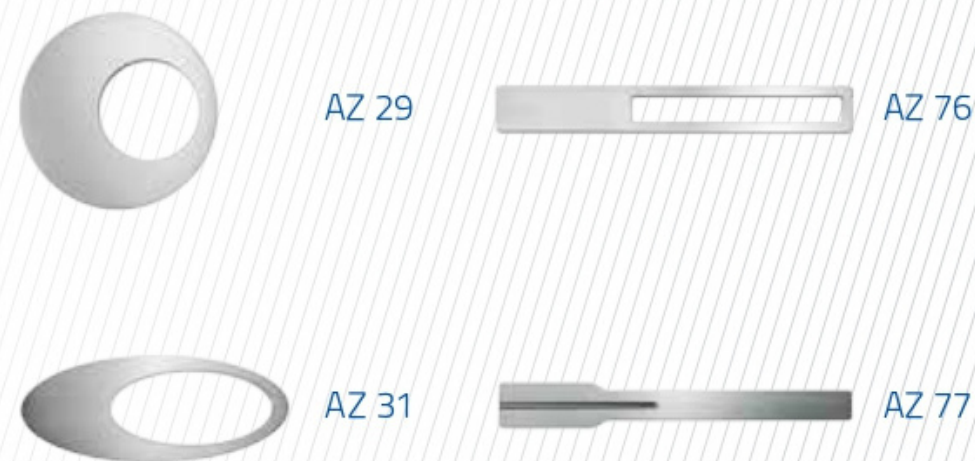
//Curved pull



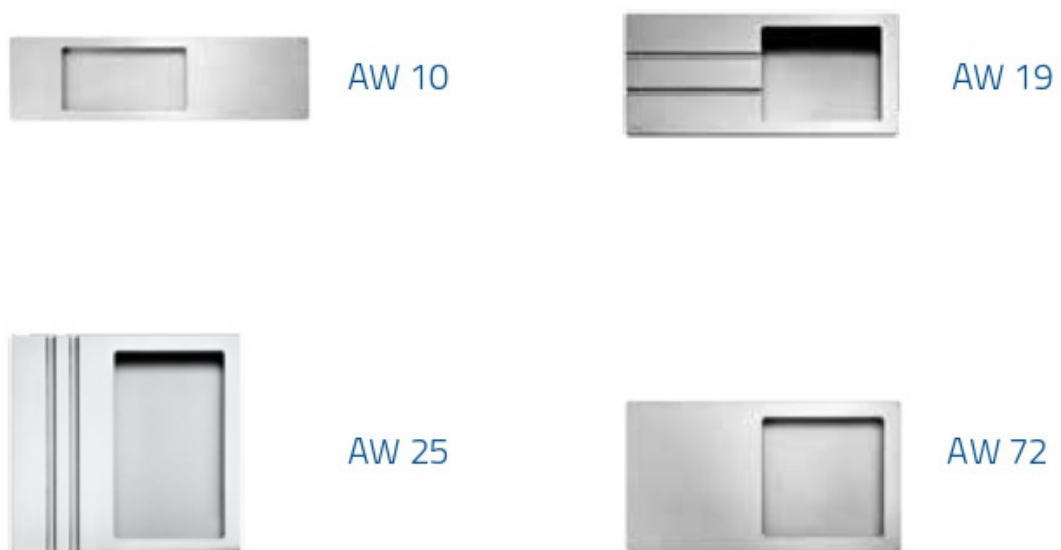
//Door handle



//Decorative pulls



//Flush fitted pulls



//Inox rosettes



## //Ornaments



Master-Point



Chinchilla



Satinata



Master-Ligne



Master-Carre

Logisal offers a wide range of glass with motif, glass made of transparent or ornamental glass in its most popular models.

All door models come in variants with sidelight and toplight.

**Variant 1:** Sandblasted glass (motif)

**Variant 2:** Transparent glass

**Variant 3:** Ornamental glass

**Variant 4:** Safety glass

Sidelights and fixed lights include triple glazing units with warm glass spacers. Sidelights (fixed glazing) can be placed either on one or on both sides of the door assembly.

Maximum sidelight width: 1400 mm

**Extra ornaments (optional):**

"Master-Point"

"Chinchilla"

"Satinata"

"Master-Ligne"

"Master-Carre"

"Mirrastar" (mirror effect)

"Antisol" (semi-transparent mirror effect)

//Wood-like coatings

									
Golden Oak ADEC D101	Rustic Oak ADEC D210	Swamp Oak ADEC D502	Ebony ADEC M102	Walnut ADEC O102	Walnut Vein ADEC O205	Mahogany ADEC M103	Sapele Mahogany ADEC M204	Pine ADEC S106	Pine ADEC S110
									
Fir ADEC J107	Fir ADEC S208	Beech ADEC B108	Cherry ADEC W109	Wenge ADEC W205	Winchester ADEC D207	Gean ADEC C110	Gean ADEC C212	Dark Cherry ADEC C106	Chestnut ADEC K101

//RAL & structural colours\*



\*All RAL colours and structural colours as per the offer. The colours may vary slightly from the finished product.



**LOGIS**  
ALUMINIUM

[www.logisal.eu](http://www.logisal.eu)

Please visit our site <https://logisal.eu> to learn more on energy-efficient aluminium systems for the construction industry.





## YOUR HOME DESERVES MORE

